

# CANFARMSAFE™



## Wanted: Farmers to Build ROPS

*Are you interested in improving the safety of your older model tractor?  
Do you have an old tractor that is missing a roll-over protective structure (ROPS)?*

If you answered 'yes' to the above questions, the following information will provide you with more details about being involved with the Low-Cost ROPS Pilot Project.

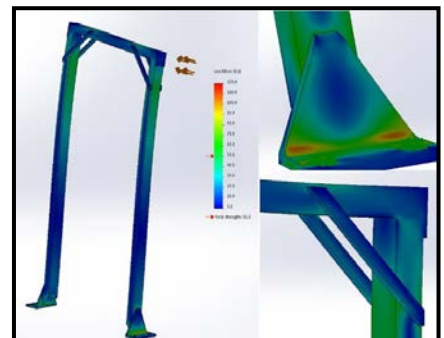
### Why Build a ROPS for Your Tractor?



- 🚧 Tractor rollovers are one of the leading causes of fatalities and serious injuries on farms and account for 25% of all farm work-related deaths in Canada
- 🚧 ROPS on tractors in combination with seatbelts have been proven to be highly effective in the prevention of death or serious injury in a rollover event
- 🚧 This project provides a ROPS design that is affordable, simple to build and install, and meets certification regulations and liability requirements

### What You Need

- 🚧 Basic welding skills – the design of this DIY ROPS moves the stress points of the structure away from the weld sites and onto the material itself, meaning only basic welding skills are required to build a structurally sound and certifiable ROPS
- 🚧 **Massey Ferguson** tractor of one of the following models: **35, T035, 130, 135, 150, 230, 235, 240 or 245**



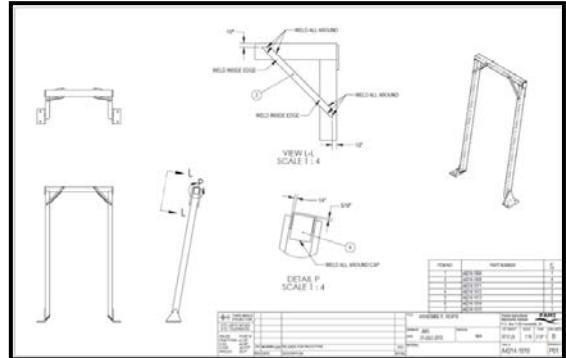
CANFARMSAFE is a Registered Trade Mark of the Canadian Centre for Health and Safety in Agriculture

## Details

All materials will be paid for by the project, including an additional \$250 for your time! The building and installment process takes roughly 8 hours of labour. Instructions for design will be provided by Prairie Agricultural Machinery Institute (PAMI).

## ROPS Testing

After you have completed your farm built ROPS, it will be sent off to PAMI for assessment and structural testing. PAMI measures the structural integrity of your ROPS using the regulations outlined by the Canadian Standards Association. Once your ROPS has passed testing, you will receive a certification to put on your tractor to demonstrate that the ROPS meets health and safety regulations.



## What Farmers Have to Say About Farm Built ROPS

Farmers that have participated in the project so far were pleasantly surprised with the simplicity and ease of the building task. One farmer mentioned, "If I would have known it was this easy, I would have put a ROPS on my tractor years ago." To date ROPS that have been completed have surpassed the inspection and testing processes. The project thus far has been very successful and hopes to have more farmers volunteer to build their own ROPS in the upcoming year.



## Who to Contact?

To participate in the ROPS project or for more information please contact Justin (PAMI Project Coordinator) at (306) 682-5033 or toll free 1(800)567-7264.

The Low Cost Roll-Over Protective Structures Intervention Project is one part of Agrivita Canada Inc.'s Canadian AgriSafety Applied Research Program, led by a national team of researchers from the Prairie Agricultural Machinery Institute (PAMI), the Canadian Centre for Health and Safety in Agriculture (CCHSA), the University of Alberta, the Injury Prevention Centre (IPC, formerly ACICR), and the Canadian Agricultural Safety Association (CASA).

This document has been prepared by the Canadian Centre for Health and Safety in Agriculture (CCHSA) for Agrivita Canada Inc. and the *Canadian AgriSafety Applied Research Program*, which is supported under *Growing Forward 2 (GF2)*.

17-01-014

CANFARMSAFE is a Registered Trade Mark of the Canadian Centre for Health and Safety in Agriculture